



# 450 SERIES

## ARTICULATING BOOM LIFT

### PERFORMANCE

Platform Height	45 ft	13.72 m
<b>Horizontal Outreach</b>		
450A	30 ft	9.14 m
450AJ	25 ft	7.62 m
Up and Over Height	24 ft	7.3 m
Swing	355 Degrees Non-Continuous	
<b>Platform Capacity</b>		
Unrestricted	550 lb	250 kg
Platform Size	30 x 72 in.	0.76 x 1.83 m
Platform Rotator	180 Degrees Hydraulic	
Jib	4 ft 1 in.	1.24 m
Range of Articulation	145 Degrees (+76, -69)	
<b>Weight</b>		
450A	15,850 lb	7,190 kg
450AJ	14,150 lb	6,418 kg
Max Ground Bearing Pressure	65 psi	4.57 kg/cm <sup>2</sup>
Drive Speed	4.25 mph	6.84 km/hr
<b>Gradeability</b>		
2WD	30%	
4WD	45%	
Tilt Cut Out	5 Degrees	
Axle Oscillation	4 in.	10 cm
<b>Turning Radius</b>		
Inside	6 ft 9 in	2.06 m
Outside	15 ft 8 in.	4.78 m

### STANDARD SPECIFICATIONS

#### Power Source

<b>Dual Fuel Engine</b>		
Kubota WG2503	61 hp	45.5 kW
<b>Diesel Engine</b>		
Deutz D2.9 L4 Tier 4 Final	49 hp	36.4 kW
<b>Fuel Tank Capacity</b>	16 gal.	60.6 L

#### Hydraulic System

System Capacity	38 gal.	143.8 L
Tank Capacity	36 gal.	136.27 L
Auxiliary Power	12V-DC	

#### Tires

Standard	33/1550 x 16.5 Foam Filled
Optional	Lug Tread Non Marking Foam Filled Tires



### STANDARD FEATURES

- 4 ft 1 in. (1.24 m) Articulating Jib
- Platform 30 x 72 in. (0.76 x 1.83 m) Side Entry
- 180 Degree Hydraulic Platform Rotator
- Platform Console Machine Status Light Panel1
- 110V-AC Receptacle in the Platform
- 5 Degree Tilt Alarm/Indicator Light
- Swing Out Engine Module
- Improved Multi-Function Controls
- Gull-Wing Turntable Hoods
- 12V-DC Auxiliary Power
- Hourmeter
- Interactive Display at Ground Controls
- Proportional Controls
- Control ADE® System
- Lifting/Tie Down Lugs
- Horn
- Four-Wheel Hydrostatic Drive
- Oscillating Axle
- Cast Aluminum Control Box
- Motion Alarm
- Reduced Time to Full Height
- Load Sensing System
- SkyGuard SkyLine™

\* Provides indicator lights at platform control console for system distress, low fuel, 5 degree tilt light, and foot switch status.

### ACCESSORIES & OPTIONS

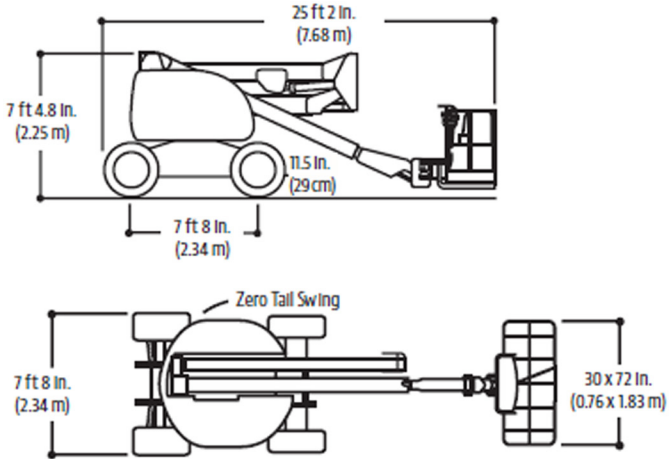
- 30 x 60 in. (0.76 x 1.25 m) Platform
- Inward Self-Closing Swing
- 36 x 72 in. (0.91 x 1.83 m) Platform
- Fall Arrest Platform 30 x 60 in. (.76 x 1.53 m)
- 1/2 in. Air Line to Platform
- SkySense™
- Soft Touch System
- AC Generator
- Flashing Amber Beacon
- 43.5 lb (19.73 kg) Propane Tank
- Cold Weather Kit2
- Hostile Environment Kit3
- Arctic Package4
- Light Package5
- Operator Tool Tray
- Accessory Packages
- SkyPower® Package
- SkyWelder® Package

Note: Some options may increase lead time, and some option combinations may not be available

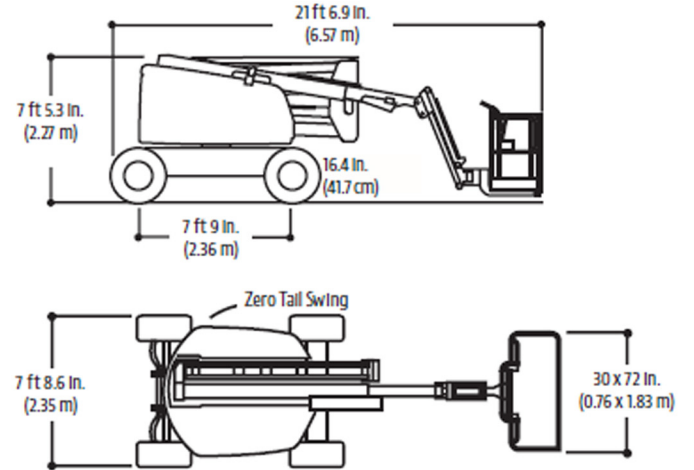
### Dimensions

All dimensions are approximate

450A



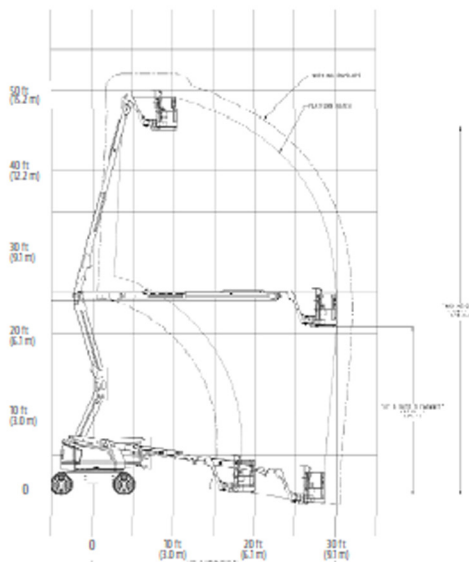
450AJ



### Reach Diagrams

All dimensions are approximate

450A



450AJ

