

PERFORMANCE

Platform Height	60 ft 7 in.	18.47 m
Horizontal Outreach	39 ft 9 in.	12.10 m
Up and Over Clearance	26 ft 7 in.	8.1 m
Swing	360 Degrees Continuous	
Platform Capacity	500 lb	227 kg
Platform Rotator	180 Degrees Hydraulic	
Jib Range of Articulation	130 Degrees (+70, -60)	
Weight		
600AJ	22,691 lb	10,292 kg
600AJ Narrow	24,200 lb	10,977 kg
Max. Ground Bearing Pressure		
600AJ	75 psi	5.25 kg/cm ²
600AJ Narrow	94 psi	6.6 kg/cm ²
Drive Speed 2WD	4.25 mph	6.8 kph
Drive Speed 4WD	4.25 mph	6.8 kph
Gradeability 2WD	30%	
Gradeability 4WD	45%	
Tilt Cut Out	4 Degrees	
Axle Oscillation	8 in. 0.2 m	
Turning Radius Inside/Outside		
2WS	10 ft. 11 in./17 ft. 7in.	3.33 m/5.36 m
4WS	5 ft. 6 in./11 ft. 8 in.	1.68 m/3.56 m
Narrow Models		
4WS	5 ft. 7 in./11 ft. 2 in.	1.7 m/3.4 m



STANDARD SPECIFICATIONS

Power Source

Dual Fuel Engine		
Ford MSG425	84 hp	62 kw
Diesel Engine		
Deutz D2.9L4 Tier 4 Final	49 hp	36.4 kw
Fuel Tank Capacity	30 gal.	113.6 L

Hydraulic System

System Capacity	30.6 gal.	115.8 L
Auxiliary Power	12V DC	

Tires

Standard	IN355/55D-6.25 Foam Filled
Narrow Models	36x14-20 Solid Tires

ACCESSORIES & OPTIONS

- Platform: 36 x 72 in. (0.91 x 1.83 m)
- Fall Arrest Platform, Rear Entry: 36 x 96 in. (0.91 x 2.44 m)
- Self-Closing Gate
- SkySense™
- Soft Touch System
- Operator Tool Tray
- 43.5 lb (19.7 kg) Propane Tank
- Cold Weather Start Kit1
- Hostile Environment Kit2
- Light Package3
- Flashing Amber Beacon
- Arctic Package4
- Accessory Packages:
 - SkyPower®
 - SkyWelder®

* Provides indicator lights at platform control console for system distress, 5 degree tilt light, and foot switch status.

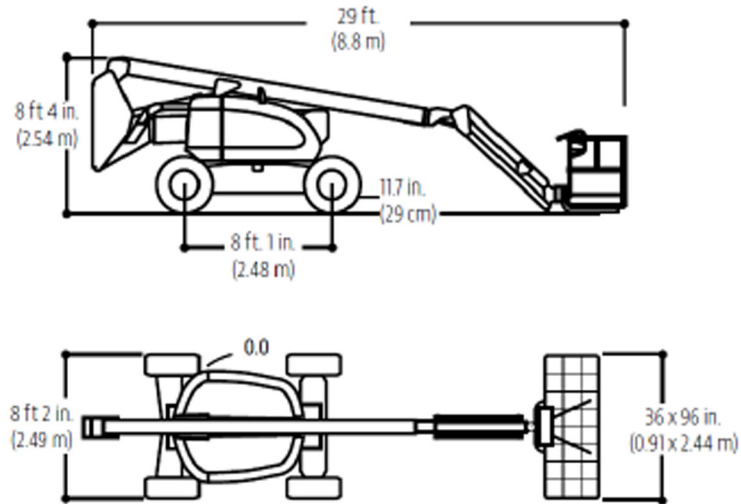
STANDARD FEATURES

- Oscillating Axle
- 180 Degree Hydraulic Platform Rotator
- 110V-AC Receptacle in the Platform
- 4 Degree Tilt Alarm/Indicator Light
- Swing-Out Engine Tray
- 12V-DC Auxiliary Power
- Hourmeter
- Horn
- Control ADE® System
- Proportional Controls
- Gull-Wing Engine Hood
- Platform Console Machine
- Status Light Panel*
- Lifting/Tie Down Lugs
- All Motion Alarm
- Glow Plugs (Diesel Engines)
- Load Sensing System
- SkyGuard SkyLine™

Dimensions

All dimensions are approximate

600AJ



Reach Diagrams

All dimensions are approximate

600AJ

