

BOMAG BW120 AD-5

The Bomag 2-3 tonne roller is ideal for footpaths and repair work as well as finishing work in road construction. These compact rollers have acquired an excellent reputation in gardening and landscaping.

KEY FEATURES

- Rotating Beacon
- Optional Vibration On and Off
- Large water tank
- Silent, Powerful Water Cooled Diesel Engine
- Automatic Brake Lock
Emergency stop





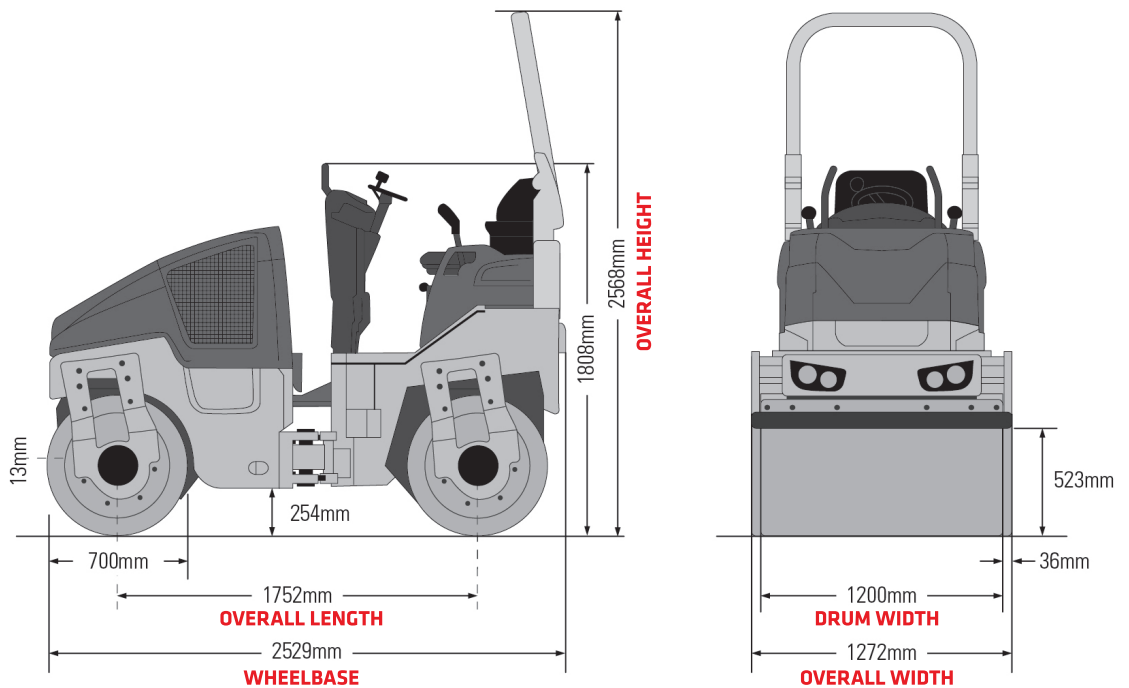
3.6 ^{LT^x}/HR



2,700 KG



Tow Bar



x - Approximate fuel consumption