

PERFORMANCE

Platform Height

E300AJP	8.97 m
E/M400AJPn	12.19 m
E/M450AJ	13.72 m

Horizontal Outreach

E300AJP	6.12 m
E/M400AJPn	6.83 m
E/M450AJ	7.24 m

Up and Over Height

E300AJP	4.0 m
E/M400AJPn	6.55 m
E/M450AJ	7.7 m

Swing

E300AJP	355° Non-Continuous
E/M400AJPn	360° Non-Continuous
E/M450AJ	360° Non-Continuous

Platform Capacity

230 kg

Platform Rotator

180° Hydraulic

Weight

E300AJP	7,100 kg
E400AJPn	6,759 kg
M400AJPn	6,863 kg
E450AJ	6,670 kg
M450AJ	6,700 kg

Overall Jib Length

E300AJP	1.22 m
E/M400AJPn	1.24 m
E/M450AJ	1.24 m

Jib Rotation Range

E300AJP	180°
E/M400AJPn	180°
E/M450AJ	N/A

Jib Articulation Range

E300AJP	144° (+84° / - 60°)
E/M400AJPn	141° (+86° / -55°)
E/M450AJ	141° (+86° / -55°)

Drive Speed

E300AJP	7.2 km/h
E/M400AJPn	7.2 km/h
E/M450AJ	7.2 km/h

Gradeability

E300AJP	25%
E/M400AJPn	30%
E/M450AJ	30%



Hydraulic System

E300AJP	11.4 L
E/M400AJPn	19.0 L
E/M450AJ	19.0 L
Motor / Pump	Permanent Magnet Motor / Gear Pump

Tyres

E300AJP	25 x 7 x 12 Solid Non-Marking
E/M400AJPn	Front 22 x 6 x 17.5 Solid Non-Marking Back 25 x 7 x 12 Solid Non-Marking
E/M450AJ	240/ 55-17.5 Foam Filled Non-marking

STANDARD FEATURES

- Automatic Traction Control (ATC)
- Side Entry Platform
- Inward Self-Closing Self-Locking Swing Gate
- 180 Degree Hydraulic Platform Rotator
- Tilt Alarm/Indicator Light
- Flashing Amber Beacon
- Hourmeter
- Proportional Controls
- Battery Condition Indicator
- Lifting/Tie Down Lugs
- Horn
- Cylinder bellows
- Flashing Amber Beacon
- Motion Alarm

STANDARD FEATURES

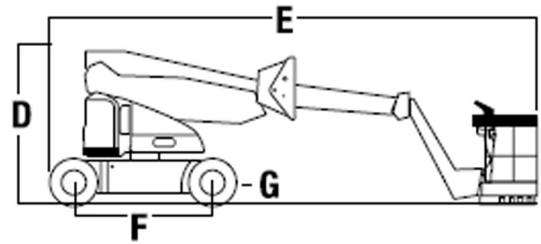
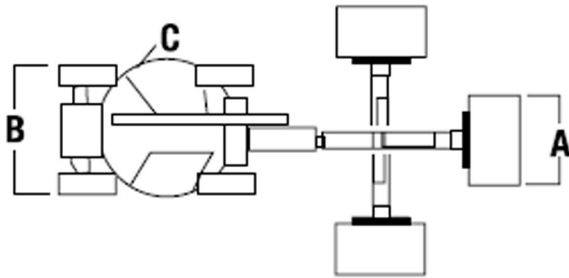
- Mesh to Mid Rail
- 1/2 in. Air Line to Platform
- Skyguard
- Squawker / White Noise Motion Alarm
- Acrylic Console Shield
- Platform Worklights
- AC Outlet to Platform including ELCB

STANDARD SPECIFICATIONS

Power		
Electrical System	48V DC	'M' Models Generator Set
Batteries	8 x 6V, 370 amp-hr (305 amp-hr on E300AJP)	Diesel Engine
Drive Motors	Dual Electric Traction—AC	Fuel Tank Capacity
		Kubota 45 amp 4.99kW
		15.2 L

Dimensions

All dimensions are approximate



A. Platform Size

E300AJP	0.76 x 1.22 m
E/M400AJPn	0.76 x 1.22 m
E/M450AJ	0.76 x 1.52 m

C. Tailswing

E300AJP	Zero
E/M400AJPn	Zero
E/M450AJ	Zero

E. Stowed Length

E300AJP	5.74 m
E/M400AJPn	6.71 m
E/M450AJ	6.45 m

G. Ground Clearance

E300AJP	10 cm
E/M400AJPn	13 cm
E/M450AJ	20 cm

B. Overall Width

E300AJP	1.22 m
E/M400AJPn	1.5 m
E/M450AJ	1.75 m

D. Stowed Height

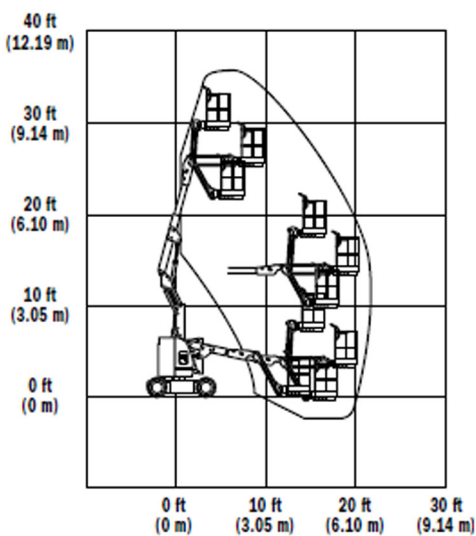
E300AJP	2.01 m
E/M400AJPn	1.97 m
E/M450AJ	2.01 m

F. Wheelbase

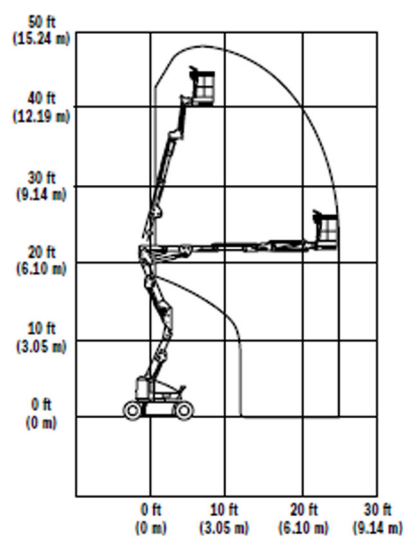
E300AJP	1.65 m
E/M400AJPn	2.01 m
E/M450AJ	2.01 m

Reach Diagrams

E300AJP



E/M400AJP NARROW



E/M450AJ

