

DUMP TRUCKS

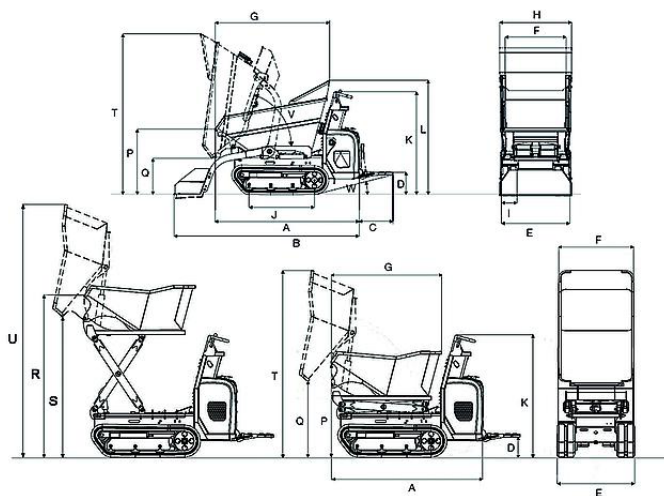
SPEC SHEET



0.8T TRACKED DUMPER DT08

DIMENSIONS & RANGE

Overall Length: 1660mm
 Overall Width: 790mm
 Overall Height: 1203mm
 Overall Weight: 800kg
 Ground Clearance: 110mm
 Volume Capacity: 0.387m³



	Front Tip Skip	High Tip Skip
A Length (without running board)	1660mm	1545mm
B Length with self-loading equipment (without running board)	2132mm	
C Length of running board	388mm	387mm
D Height over running board	235mm	234mm
E Width Undercarriage	790mm	790mm
F Skip width	830mm	764mm
G Skip length	1320mm	1134mm
H Width with self-loading equipment	830mm	
I Chain width Track	180mm	180mm
J Length Track	753mm	753mm
K Height over control console	1240mm	1240mm
L Height over skip hand protector	1313mm	
P Height of skip front edge	750mm	964mm
Q Dump height max.	420mm	757mm
R Height of skip front edge when raised		1646mm
S Dump height max. of high-tipping skip when raised		1426mm
T Height Max., skip raised	1845mm	1898mm
U Height Max., high-tipping skip raised		2570mm